



# Grande Series Installation Instructions

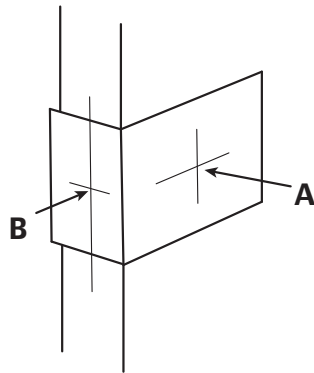
## BEFORE YOU START

- Accurate door preparation is essential for the functioning of this lock.
- Please follow the enclosed template and instructions carefully.
- Wood screw fixing is optional. Through bolt fixing is recommended.
- For dummy trim applications; see reverse

### Step 1 Door preparation

Fold template at correct height (Suggested height for centreline is 970mm from floor).

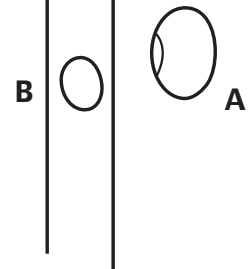
- A Mark centre
- B Mark centre of door thickness on horizontal centreline.



### Step 2 Drill holes

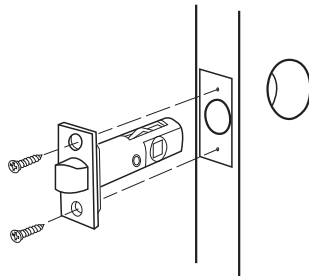
When drilling through the door, drill from both sides to avoid damaging the door.

- A Drill a 54mm hole through the door.
- B Drill a 24mm hole x 85mm deep into the front edge of the door.



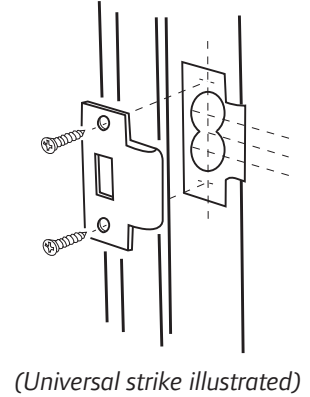
### Step 3 Install latch

- A Insert latch into hole. Trace around face plate.
- B Chisel out wood until faceplate fits flush with door edge.
- C Fasten latch to door so bevelled edge of latchbolt faces jamb.



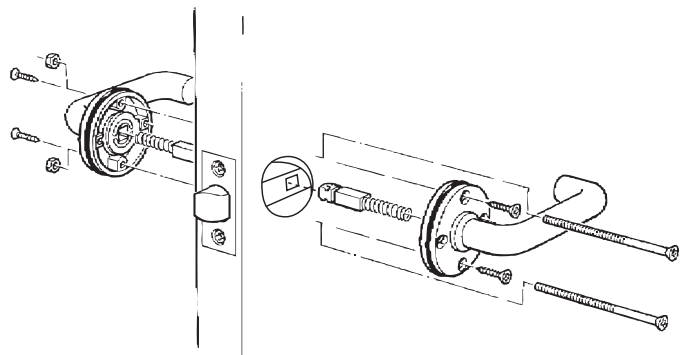
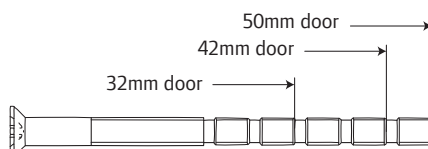
### Step 4 Prepare jamb & install strike

- A Mark vertical line and height centreline on jamb, exactly opposite centre latch.
- B Drill (2) 20mm holes x 15mm deep, 8mm above and below height centreline.
- C Use strike plate as pattern for cutout. Chisel out and install strike.



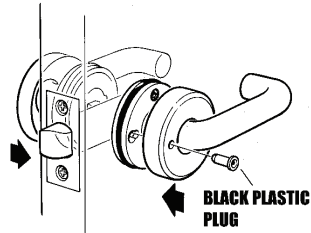
### Step 5 Install furniture

- A Remove rose caps.
- B Insert spindles into furniture, as illustrated. (illustration shows the privacy set. The passage set is supplied with a 70mm spindle).
- C Attach furniture to door by either through bolt fixing or wood screws. (When through bolt fixing method is being used, cut bolts to appropriate length)



### Step 6 Replace rose caps

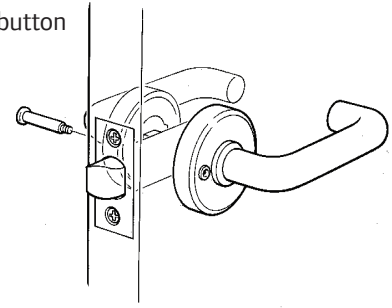
- A Replace rose caps.
- B Insert black plastic plug into hole, on outside rose.



(Privacy set only)

### Step 7 Attach privacy button

- A Screw in privacy button for privacy sets.

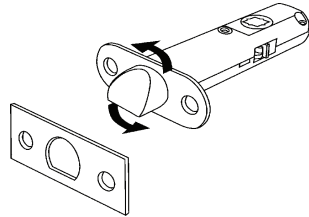


### RETROFIT APPLICATION INSTRUCTIONS

If replacing existing door furniture, remove existing lever/knob. Follow points 5 to 8. The rose will cover large pre drilled holes.

### PRIVACY LATCHBOLT HANDING INSTRUCTIONS

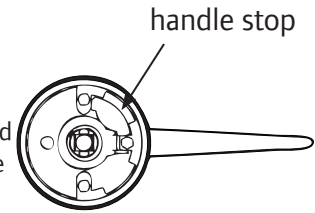
All privacy latchbolts are supplied handed to accommodate inward opening doors. If you have an outward opening door, use the following instructions to hand the latchbolt correctly.



- A Remove forend and rotate the latch head. Replace forend to set in place.

### DUMMY TRIM APPLICATION INSTRUCTIONS

If you have purchased a dummy set, no door preparation is necessary. Simply fit stop as shown and drill to the door in the same position as other locks.



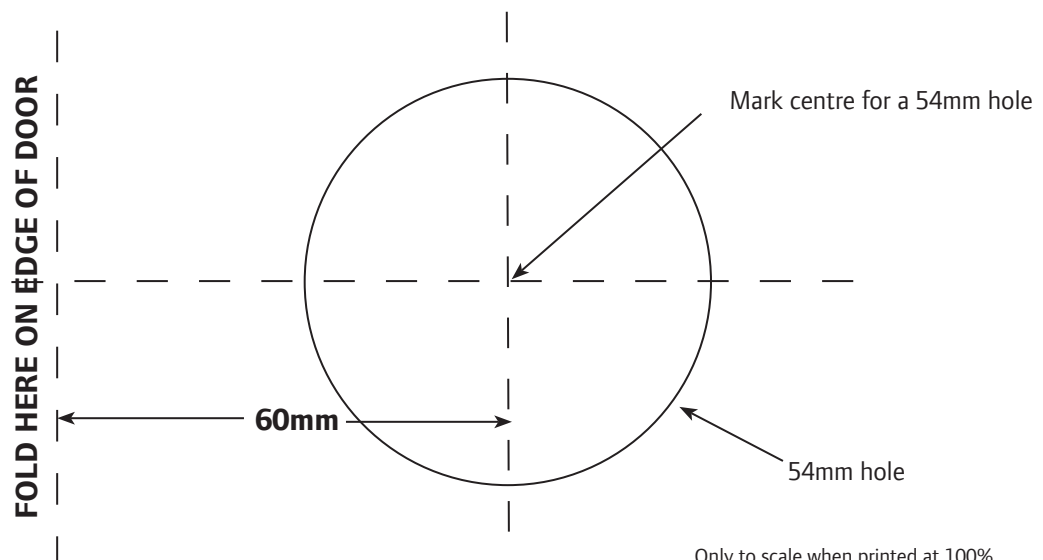
Allegion Australia  
Freephone 1800 098 094  
Freefax 1800 098 095  
Email [auinfo@allegion.com](mailto:auinfo@allegion.com)  
[www.allegion.com.au](http://www.allegion.com.au)

Allegion New Zealand  
Freephone 0800 477 869  
Freefax 0800 477 868  
Email [nzinfo@allegion.com](mailto:nzinfo@allegion.com)  
[www.allegion.co.nz](http://www.allegion.co.nz)

© 2014 Allegion



### INSTALLATION TEMPLATE FOR GRANDE SERIES



Only to scale when printed at 100%  
May 2012